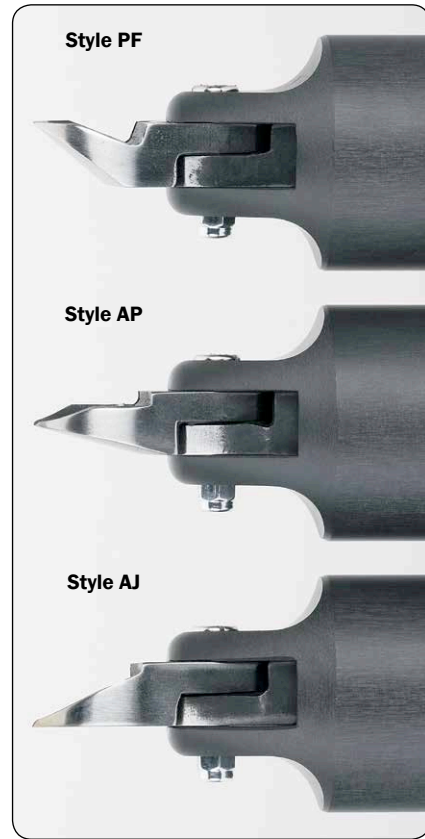
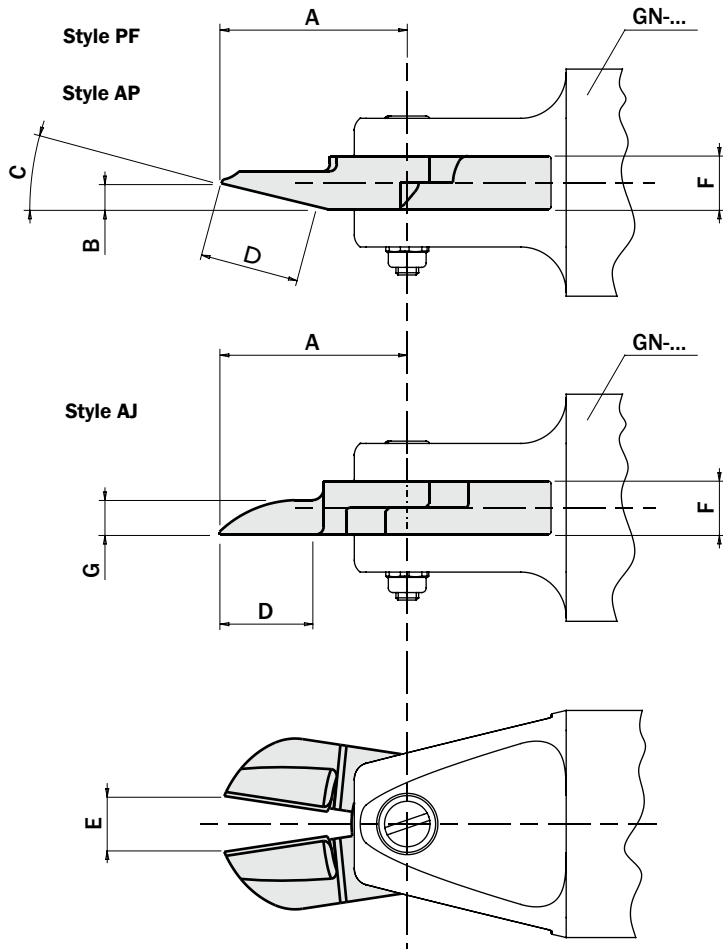


Lame standard

Standard blades

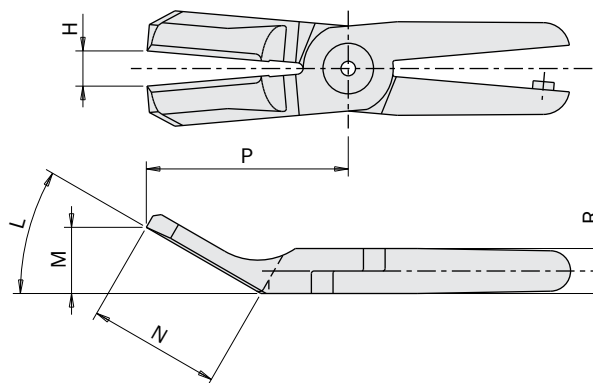


| Lame Blades | Taglierino Nipper | Tipo di lama Blade style | A | B | C | D | E | F | G | Peso Weight | Prezzo Price |
|----------------|----------------------|------------------------------------|------|-----|-----|------|--------------|----|-----|----------------|-----------------|
| G.N5AJ | GN-05... | dritta inline | 24 | - | - | 13 | 4 | 7 | 4.5 | 33 g | |
| G.N5AP | GN-05... | standard | 24 | 3.6 | 15° | 11.5 | 4 | 7 | - | 34 g | |
| G.N5PF | GN-05... | profonda deep angle | 24 | 7 | 40° | 9.7 | 4 | 7 | - | 35 g | |
| G.N10LAJ | GN-10... | dritta lunga long inline | 35 | - | - | 18 | 5.5 | 12 | 8 | 117 g | |
| G.N10LAP | GN-10... | standard lunga long, standard | 36 | 5.3 | 15° | 16 | 6.5 | 12 | - | 115 g | |
| G.N10LPF | GN-10... | profonda lunga long, deep angle | 35 | 12 | 40° | 13.5 | 6.5 | 12 | - | 112 g | |
| G.N20AJ | GN-20... | dritta inline | 34.5 | - | - | 18 | 12 | 12 | 8 | 121 g | |
| G.N20AP | GN-20... | standard | 35 | 3.5 | 15° | 16 | 11.5 | 12 | - | 120 g | |
| G.N20PF | GN-20... | profonda deep angle | 35 | 12 | 40° | 13.5 | 11.5 | 12 | - | 124 g | |
| G.N20AJL | GN-20... | dritta lunga long inline | 65 | - | - | 20 | 15.4 | 12 | 7.2 | 220 g | |
| G.N30AJ | GN-30... GN-50... | dritta inline | 52 | - | - | 30 | 10.5 22 | 17 | 8 | 365 g | |
| G.N30AP | GN-30... GN-50... | standard | 67 | 11 | 15° | 38 | 17.5 29.5 | 17 | - | 380 g | |
| G.N30PF | GN-30... GN-50... | profonda deep angle | 58 | 17 | 30° | 27 | 16 26.5 | 17 | - | 388 g | |

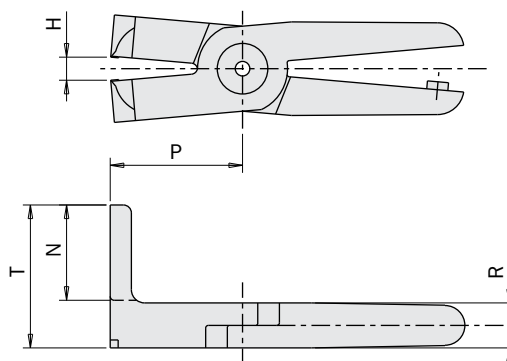
Lame speciali

Special blades

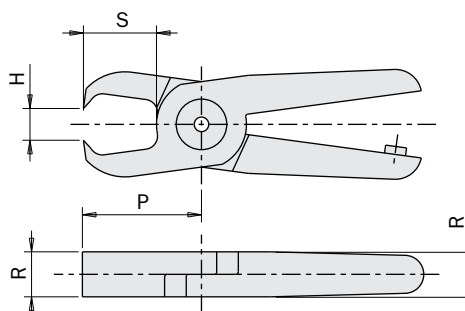
Style AA



Style AL



Style AE



| Lame Blades | Taglierino Nipper | Tipo di lama Blade style | H | L | M | N | P | R | S | T | Peso Weight | Prezzo Price |
|----------------|----------------------|-----------------------------|------------|-----|------|----|------|----|------|----|----------------|-----------------|
| G.N10LAB152 | GN-10... | AA | 10 | 15° | 9 | 35 | 60.5 | 12 | - | - | 165 g | |
| G.N20AB360 | GN-20... | AA | 15 | 15° | 9 | 35 | 60.5 | 12 | - | - | 185 g | |
| G.N30AA114 | GN-30... GN-50... | AA | 20 34 | 30° | 25 | 50 | 76 | 17 | - | - | 385 g | |
| G.N30AA | GN-30... GN-50... | AA | 15 26 | 60° | 27.7 | 32 | 55 | 17 | - | - | 390 g | |
| G.N20ALLLL | GN-20... | AL | 11 | - | - | 17 | 40 | 12 | - | 30 | 190 g | |
| G.N30FAL | GN-30... GN-50... | AL | 13 22 | - | - | 35 | 50 | 17 | - | 54 | 455 g | |
| G.N10LAE269 | GN-10... | AE | 5 | - | - | - | 28 | 12 | 15.5 | - | 120 g | |
| G.N20AE | GN-20... | AE | 8.5 | - | - | - | 28 | 12 | 15.5 | - | 135 g | |
| G.N30AE | GN-30... GN-50... | AE | 12.5 20 | - | - | - | 45 | 17 | 28 | - | 395 g | |

Chiedere al fabbricante se è richiesto un tipo di lama diverso.

Consult manufacturer if a different kind of blade is needed.